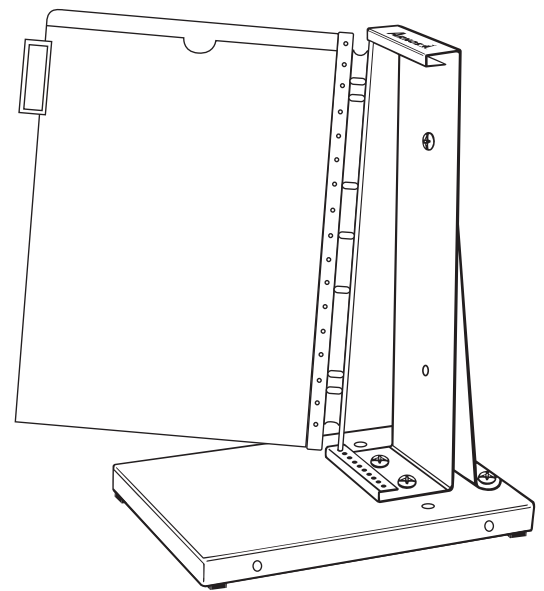




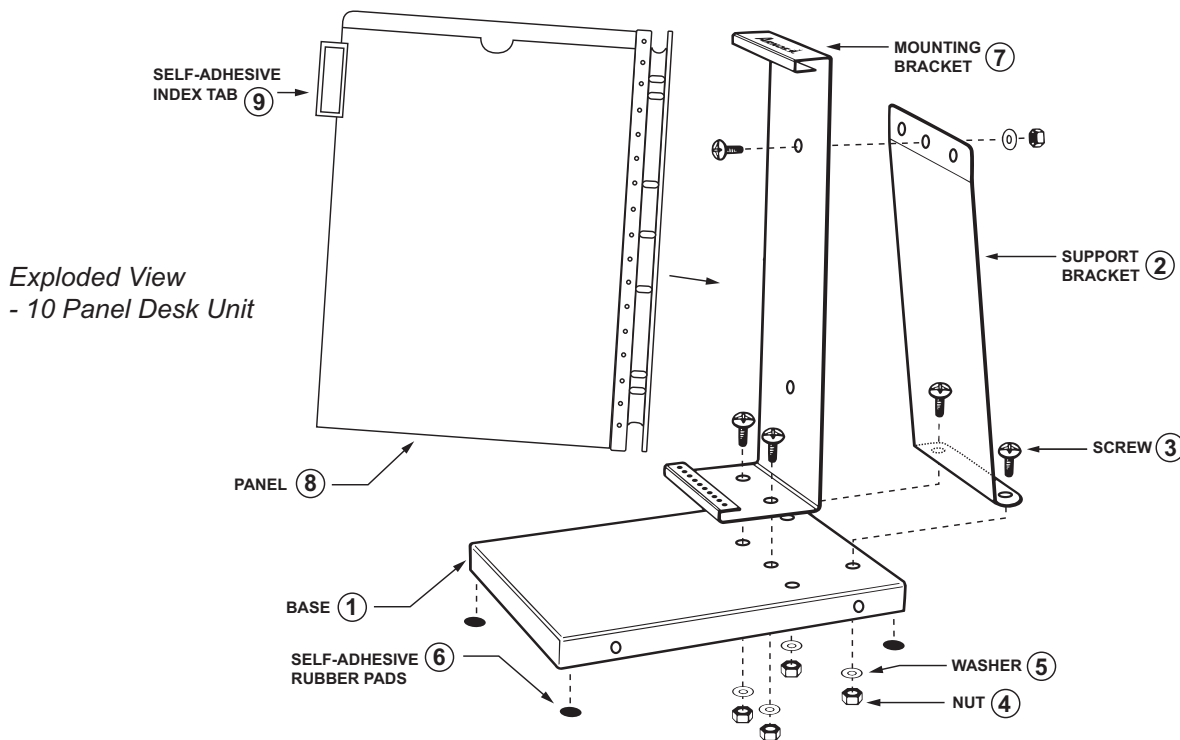
# INSTRUCTION SHEET

## FLIPPA 10-PANEL DESK TOP KIT

PRODUCT CODE: B179



Fully Assembled  
- 10 Panel Desk Unit



Exploded View  
- 10 Panel Desk Unit

### ASSEMBLY INSTRUCTIONS:

1. Stand support bracket ② vertically on base ①.
2. Place screw ③ in rear hole on base.
3. Attach washer ⑤ and nut ④ from underside of base ①.
4. Repeat steps 2 & 3 with second screw and nut.
5. For 10-panel capacity, place one mounting bracket ⑦ in line with centre hole of support bracket ②.
6. Insert screw ③ from front and attach washer ⑤ and nut ④ from rear.
7. Insert screws ③ in bottom of mounting bracket ⑦ and attach washers ⑤ and nuts ④ from underside base ①.
8. Tighten all nuts.
9. Remove adhesive pads ⑥ from strip and place on each corner of underside of base ①, pressing firmly to stick in place.

### NOTE:

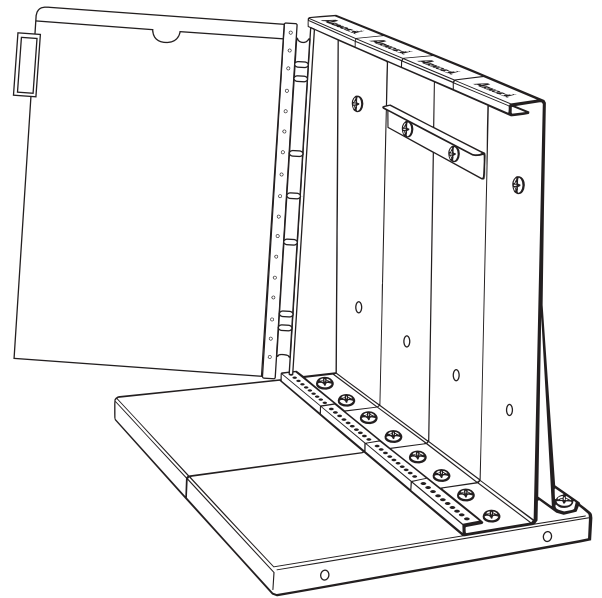
- I. Support bracket must always be fitted for stability of unit.
- III. See reverse for Flippa Modular Expansion Instructions. ( 20 Panel and 40 Panel Units )

### CONTENTS:

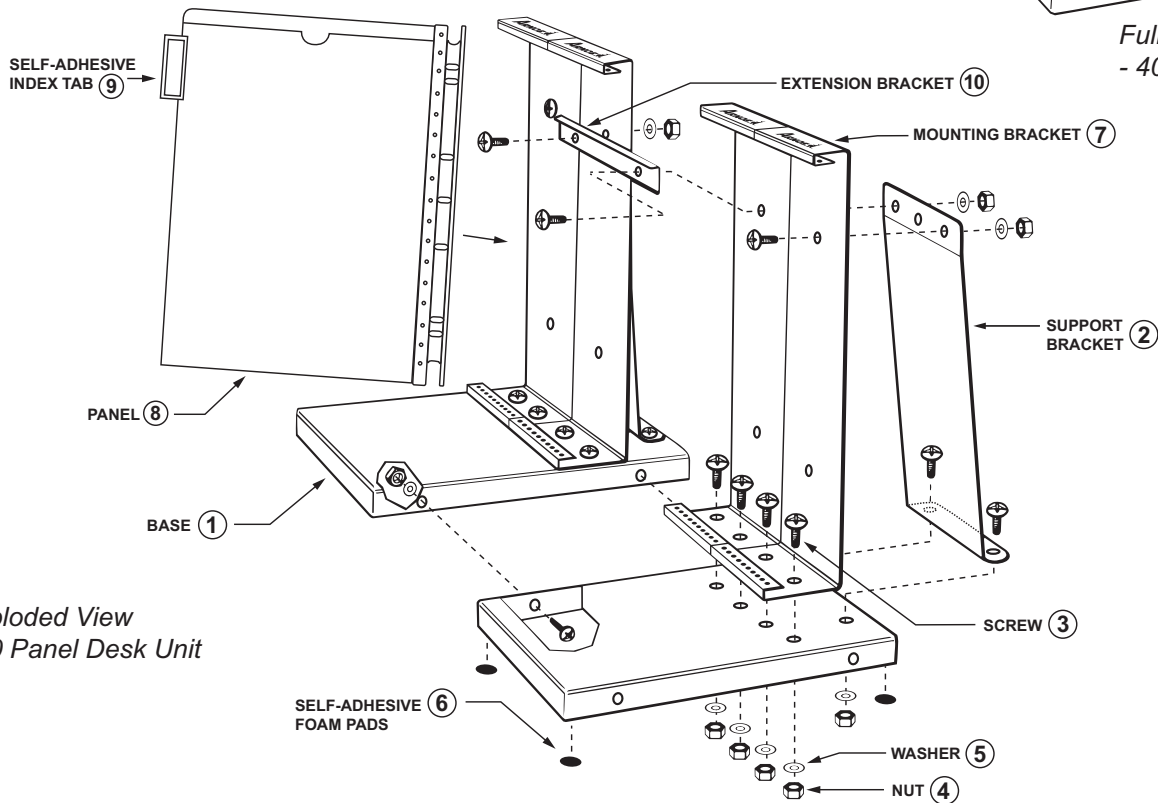
- ① 1 x Base (260 x 200 x 20mm)
- ② 1 x Support Bracket
- ③ 8 x Screws (1/4" BSW x 1/2")
- ④ 8 x Nuts (1/4" BSW)
- ⑤ 8 x Washers (1/4" diameter)
- ⑥ 4 x Self-adhesive Rubber Pads
- ⑦ 1 x Mounting Bracket
- ⑧ 10 x Clear, Top Opening, A4 Display Panels
- ⑨ 10 x Coloured Adhesive Index Tabs



# FLIPPA MODULAR EXPANSION INSTRUCTION SHEET



Fully Assembled  
- 40 Panel Desk Unit



Exploded View  
- 40 Panel Desk Unit

## 20 Panel Flippa System

Required Items: 1 x Flippa 10 Panel Desk Kit (B179) and 1 x Flippa 10 Panel Wall Unit (B180)

1. For a 20-panel capacity, place two mounting brackets ⑦ in line with holes on support brackets ②.
2. Insert screw ③ from front and attach washer ⑤ and nut ④ from rear.
3. Insert screws ③ in bottom of each mounting bracket ⑦ and attach washers ⑤ and nuts ④ from underside of base ①.
4. Remove adhesive pads ⑥ from strip and place on each corner of underside of base ①, pressing firmly to stick in place.
5. Add panels ⑧.

## 40 Panel Flippa System

Required Items: 2 x Flippa 10 Panel Desk Kit (B179), 2 x Flippa 10 Panel Wall Unit (B180), 1 x Extension Kit (B291)

1. Attach two 20-panel units together, use screws ③ from Extension Kit ⑩. Predrilled holes can be found on both sides of all bases ①.
2. Centre the extension bracket ⑩ in front of both units. Unscrew the two inner screws from support bracket ② and place the extension bracket ⑩ in the middle of the two adjoining mounting brackets ⑦. Screw together unit, tighten all nuts ④.
3. Add panels ⑧.